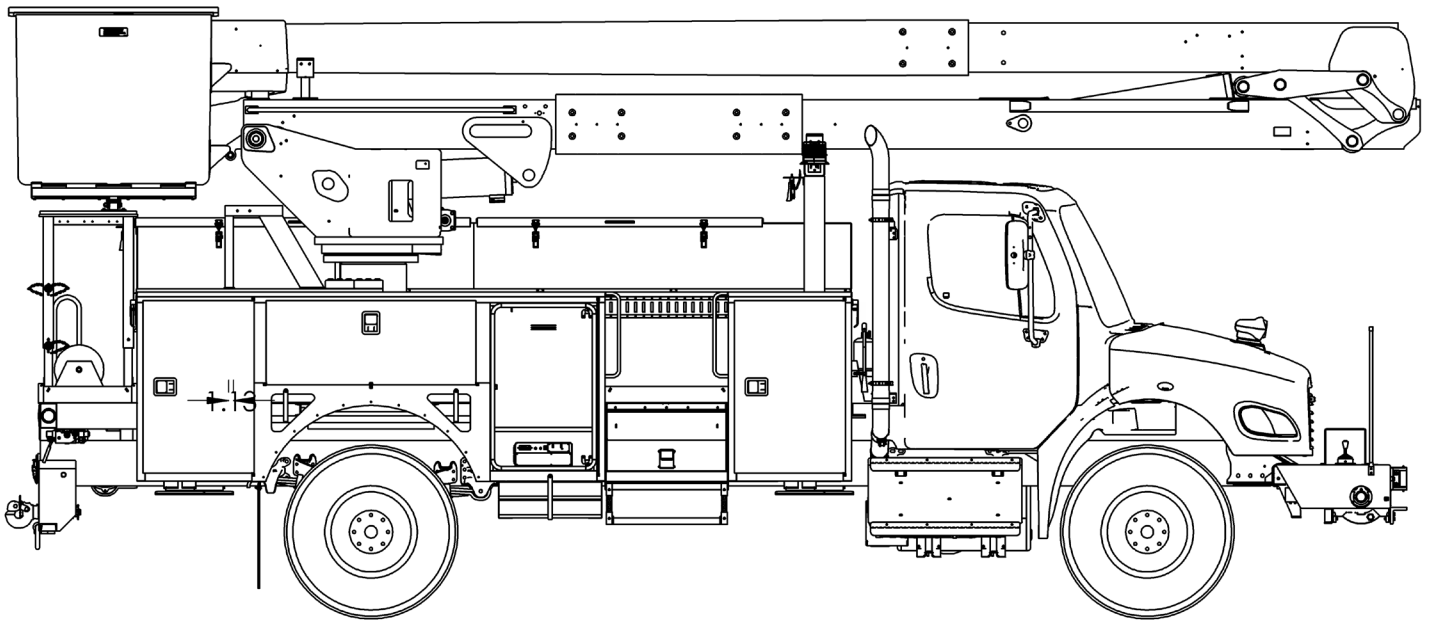




TECH TIPS

PROGRAMMING A BUTTON ON THE CANVIEW 4 SWITCH PANEL

NO. 123



SERVICE CALL:
PROGRAMMING A BUTTON ON
THE CANVIEW 4 SWITCH PANEL



MODEL(S):
ALL TEREX UTILITIES EQUIPMENT
USING THE CANVIEW 4 SWITCH
PANEL



TOOLS NEEDED:
ELECTRICAL SCHEMATIC

TEREX UTILITIES TECHNICAL SUPPORT TEAM

PHONE: 1-844-TEREX4U (1-844-837-3948) | EMAIL: UTILITIES.SERVICE@TEREX.COM



DANGER

Failure to obey the instructions and safety rules in the appropriate Operator's Manual and Service Manual for your machine will result in death or serious injury.

Many of the hazards identified in the Operator's Manual are also safety hazards when maintenance and repair procedures are performed.

DO NOT PERFORM MAINTENANCE UNLESS:

- ✓ You are trained and qualified to perform maintenance on this machine.
- ✓ You read, understand and obey:
 - manufacturer's instructions and safety rules
 - employer's safety rules and worksite regulations
 - applicable governmental regulations
- ✓ You have the appropriate tools, lifting equipment and a suitable workshop.

The information contained in this Tech Tip is a supplement to the Service Manual. Consult the appropriate Service Manual of your machine for safety rules and hazards.



TECH TIP 123 | RELEASED 12.08.2023 | VERSION 1.0
©TEREX UTILITIES. ALL RIGHTS RESERVED

CONTENTS

TECH TIP #123

TOC

4

| Determine the outputs available

STEP 1

5

| Wire the new component

STEP 2 - STEP 3

6

| Select spare button on panel

STEP 4 - STEP 5

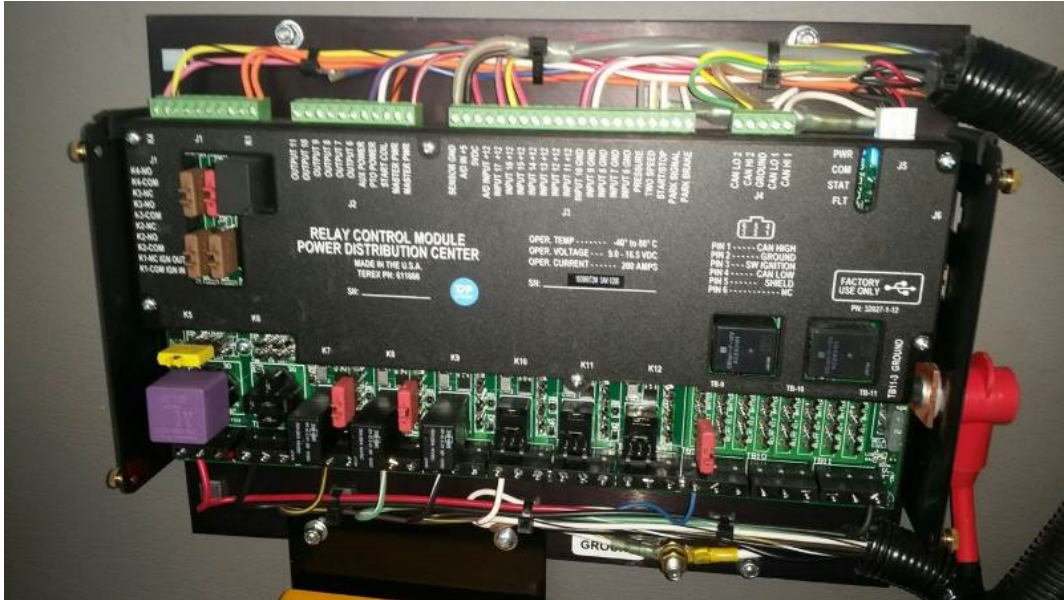
7

| Choose output in panel

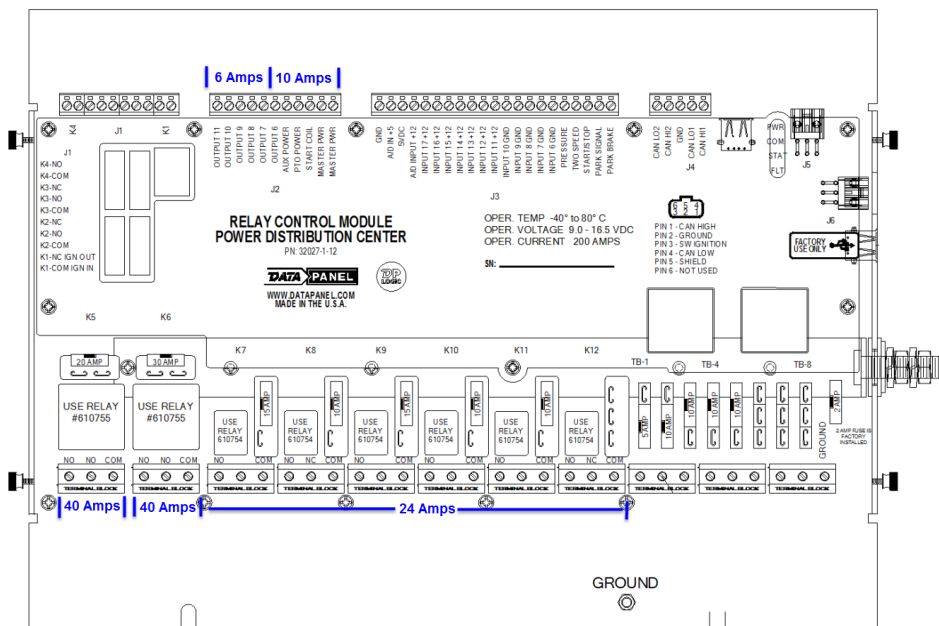
STEP 6 - STEP 7

STEP 1

If another component needs to be controlled by the switch panel, reference the chassis control board or the electrical schematic to determine what outputs are available.



There is a wide range of components and accessories that can be wired into the switch panel. The limitation on what can be wired into the switch board is the amperage requirements. The output limitations are shown below:



STEP 2

Wire the new component to the desired output and then press the middle button on the display until Settings are displayed. If Settings is not available, this version of the Switch Panel does not support programming by the user.

Click on Settings to continue.



STEP 3

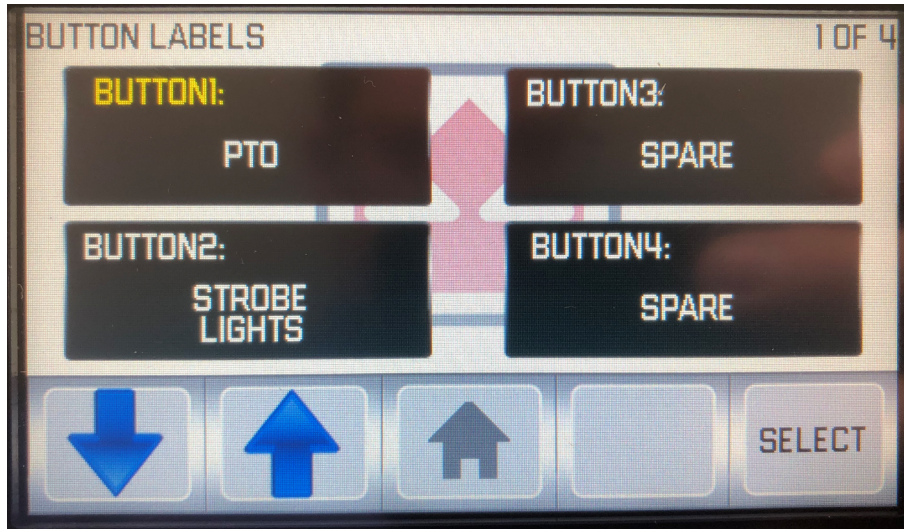
Use the up/down arrows to select Button Labels. Once it is highlighted, push the select button.



STEP 4

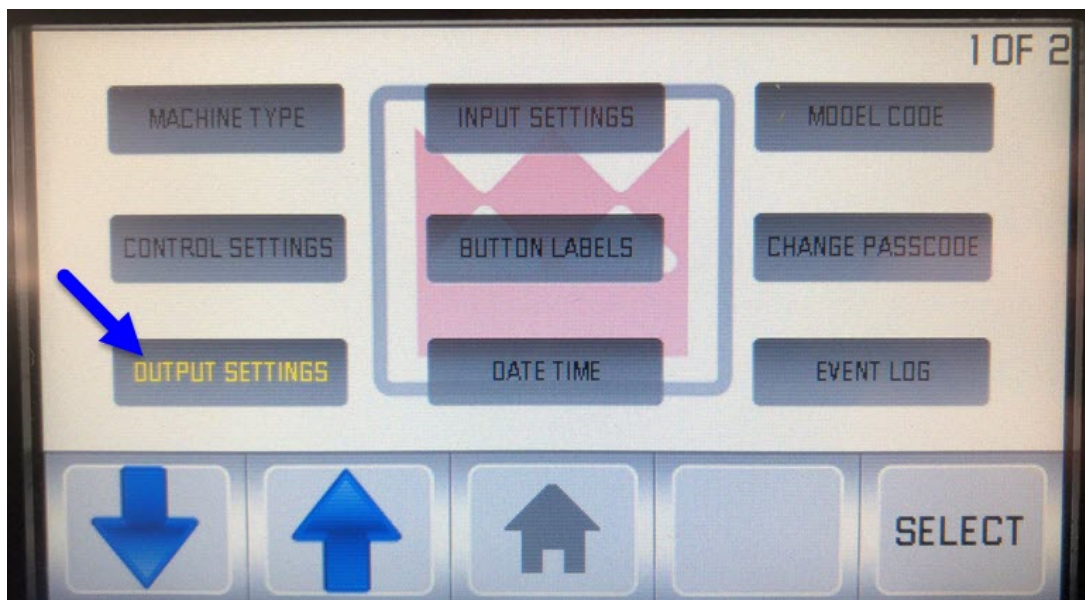
Use the up/down arrow to scroll through the buttons until a spare button is highlighted. Push the Select button and scroll through the options to find the best description for the installed component. Once the description is found, press the Select button.

Note: If there are no spare buttons available, reference Tech-tip 124 to add additional buttons.



STEP 5

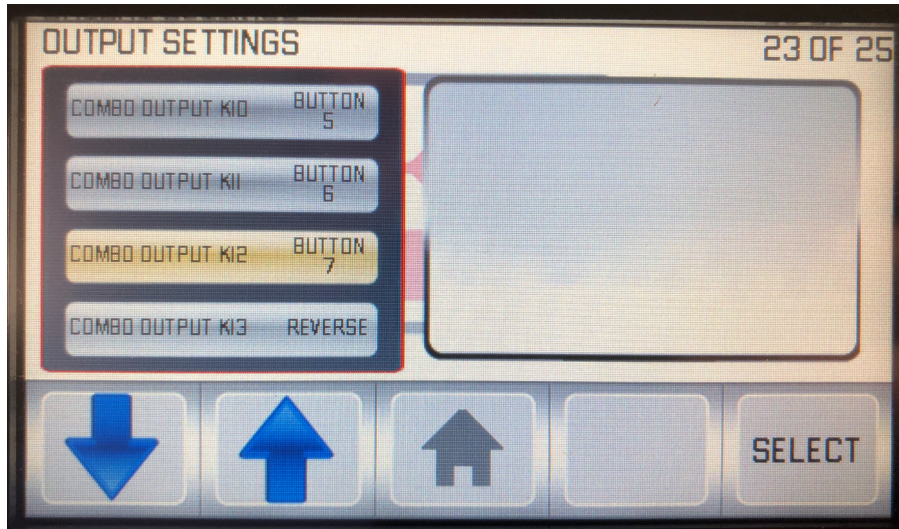
Go back to the setting page and use the up/down arrows to highlight Output Settings. Once highlighted press the Select button.



STEP 6

Use the up/down arrow to choose the output the component is wired in to. Press the Select button and scroll until the correct button is selected. Press the Select button again to lock in the output and the chosen button.

In the example below output K12 will turn on when Button 7 is pressed.



STEP 7

Back out to the main screen and verify the component operates as intended.

Note: Not all Canview 4 switch panels have this ability. If you have any questions, contact Terex Utilities Technical Support at 1-844-Terex4U (1-844-837-3948) or utilities.service@terex.com

Note: Any changes made after factory installation should be noted in the electrical schematic provided with the unit. Contact Terex Utilities Technical Support at 1-844-Terex4U (1-844-837-3948) or utilities.service@terex.com to notify us about the change. Keeping our files up-to-date will enable the correct program to be loaded if a replacement switch panel is ordered in the future.



FOR FURTHER ASSISTANCE,

CONTACT THE TEREX UTILITIES TECHNICAL SUPPORT TEAM

PHONE: [1-844-TEREX4U \(1-844-837-3948\)](tel:1-844-TEREX4U) | EMAIL: UTILITIES.SERVICE@TEREX.COM
