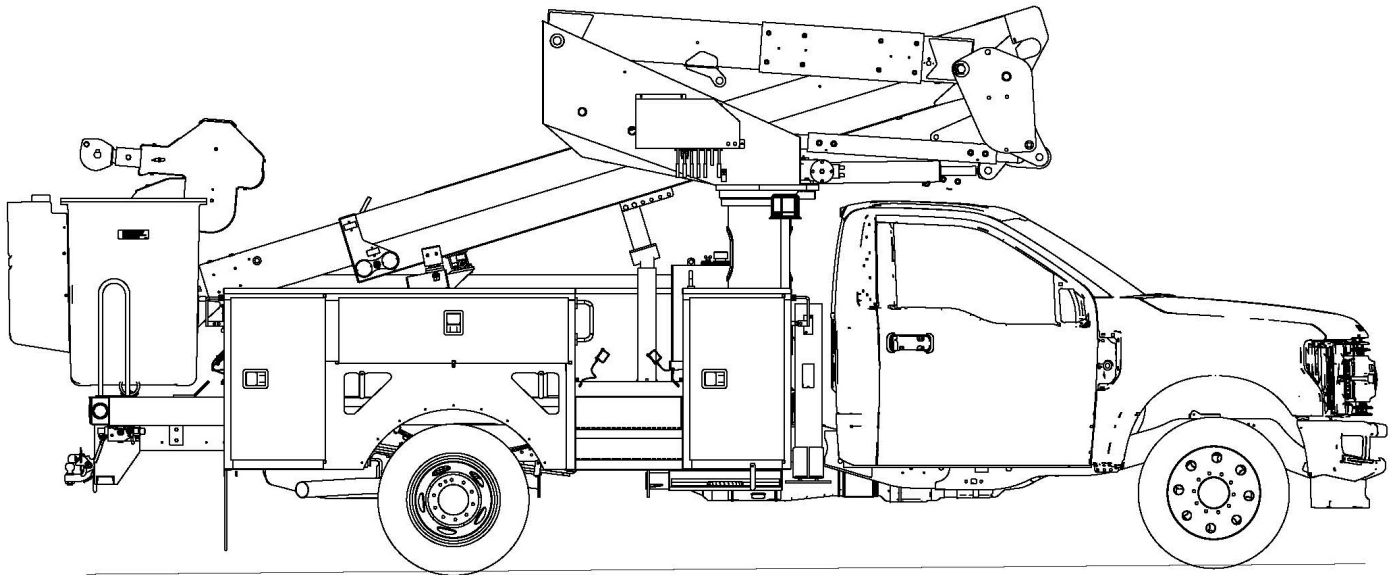




# TECH TIPS

DISINFECTING A UNIT

NO. 140



**SERVICE CALL:**  
DISINFECTING A UNIT



**MODEL(S):**  
ALL TEREX UTILITIES EQUIPMENT



**TOOLS NEEDED:**  
DISINFECTANT WIPES  
REFERENCE CDC GUIDELINES  
FOR DISINFECTING SURFACES

TEREX UTILITIES TECHNICAL SUPPORT TEAM

PHONE: 1-844-TEREX4U (1-844-837-3948) | EMAIL: [UTILITIES.SERVICE@TEREX.COM](mailto:UTILITIES.SERVICE@TEREX.COM)



## **DANGER**

Failure to obey the instructions and safety rules in the appropriate Operator's Manual and Service Manual for your machine will result in death or serious injury.

Many of the hazards identified in the Operator's Manual are also safety hazards when maintenance and repair procedures are performed.

## **DO NOT PERFORM MAINTENANCE UNLESS:**

- ✓ You are trained and qualified to perform maintenance on this machine.
- ✓ You read, understand and obey:
  - manufacturer's instructions and safety rules
  - employer's safety rules and worksite regulations
  - applicable governmental regulations
- ✓ You have the appropriate tools, lifting equipment and a suitable workshop.

The information contained in this Tech Tip is a supplement to the Service Manual. Consult the appropriate Service Manual of your machine for safety rules and hazards.



TECH TIP 140 | RELEASED 12.11.2023 | VERSION 1.0  
©TEREX UTILITIES. ALL RIGHTS RESERVED

## INTRODUCTION

The guideline below is meant to serve as a guide to disinfecting a machine. Depending on design and configuration, each individual machine will have separate requirements.

## STEP 1

Wipe down any surface that may have been touched with disinfecting wipes including:

- Keys
- Inside and Outside Door Handles
- Arm Rests
- Steering Wheel and Horn Pad
- Engine Start/Stop Button
- Transmission Shift Lever
- Parking Brake Release
- Heating/Venting/Air Conditioning Controls
- Cruise Control
- Power Door Locks
- Power Mirror and Window Controls
- Manual Window Crank Handles
- Turn Signal Lever
- Wiper Blade Controls
- Headlight Switch/Push Button
- Seat Belts and Buckles
- Seat Adjustment Controls
- Rearview Mirror
- Outside Mirrors
- Sun Visors
- Touch Screen Displays
- Consoles
- Compartment Doors/Latches
- Grab Handles
- Drawers
- Outrigger Controls
- Lower Controls
- Upper Controls
- Radio Controls
- Platform
- Tools
- Any Other Contact Surfaces - Depending on Make and Model



Avoid spraying disinfectant on electrical components to prevent damage.



FOR FURTHER ASSISTANCE,  
CONTACT THE TEREX UTILITIES TECHNICAL SUPPORT TEAM  
PHONE: **1-844-TEREX4U (1-844-837-3948)** | EMAIL: **[UTILITIES.SERVICE@TEREX.COM](mailto:UTILITIES.SERVICE@TEREX.COM)**

---