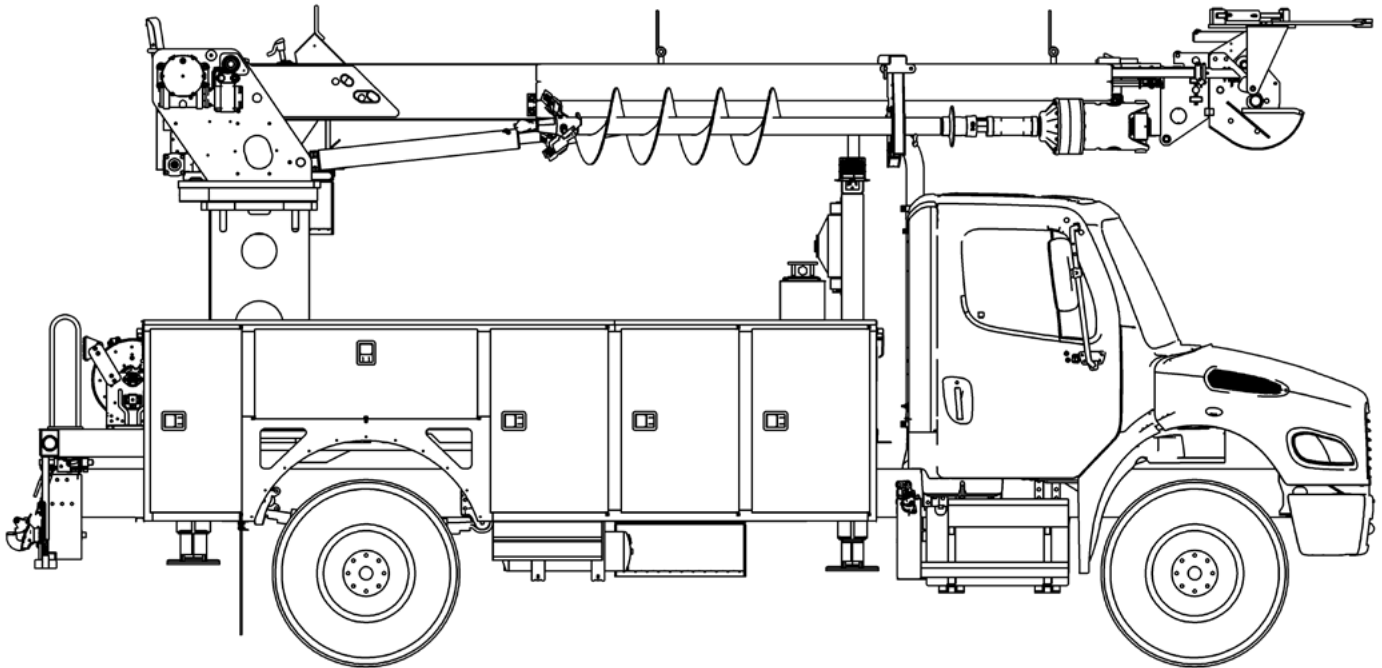




TECH TIPS

TELESCOPING TUBE SEAL INSTALLATION

NO. 34



SERVICE CALL:
TELESCOPING TUBE SEAL
INSTALLATION



MODEL(S):
C3000, C4000, C5000, AND
C6000



TOOLS NEEDED:
ROD-SEAL INSTALLERS

TEREX UTILITIES TECHNICAL SUPPORT TEAM

PHONE: 1-844-TEREX4U (1-844-837-3948) | EMAIL: UTILITIES.SERVICE@TEREX.COM



DANGER

Failure to obey the instructions and safety rules in the appropriate Operator's Manual and Service Manual for your machine will result in death or serious injury.

Many of the hazards identified in the Operator's Manual are also safety hazards when maintenance and repair procedures are performed.

DO NOT PERFORM MAINTENANCE UNLESS:

- ✓ You are trained and qualified to perform maintenance on this machine.
- ✓ You read, understand and obey:
 - manufacturer's instructions and safety rules
 - employer's safety rules and worksite regulations
 - applicable governmental regulations
- ✓ You have the appropriate tools, lifting equipment and a suitable workshop.

The information contained in this Tech Tip is a supplement to the Service Manual. Consult the appropriate Service Manual of your machine for safety rules and hazards.



TECH TIP 34 | RELEASED 03.15.2022 | VERSION 1.0
©TEREX UTILITIES. ALL RIGHTS RESERVED

CONTENTS

TECH TIP #34

TOC

4

| *Rod-seal installers*

INTRODUCTION

5

| *Inspect the area*

| *Position seal in the installation tool*

STEP 1 - STEP 3

6

| *Position the seal into the retaining groove*

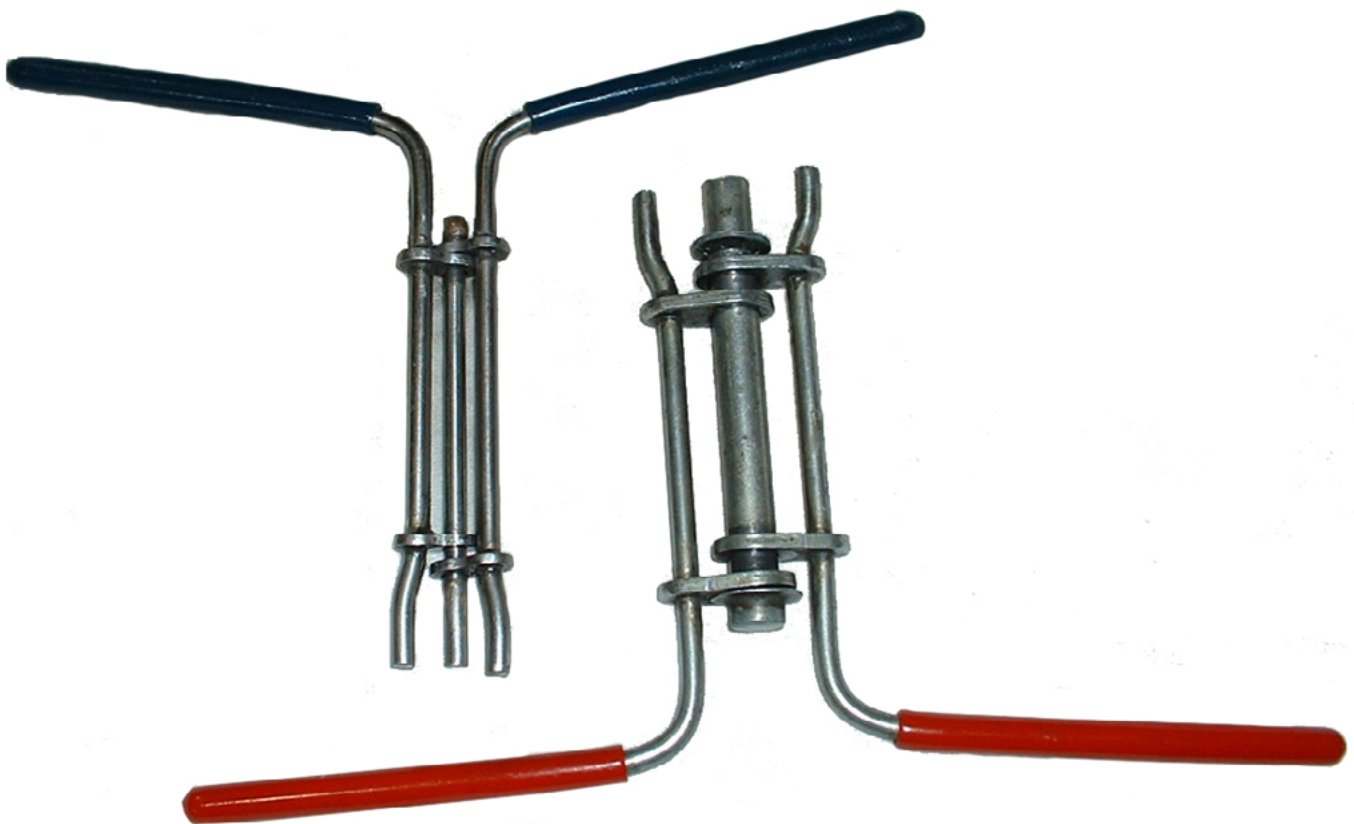
| *Press the seal into place*

STEP 4 - STEP 5

INTRODUCTION

Rod-Seal installers are available from **McMaster-Carr** for U-cups and O-rings. The installers are recommended for use with rubber and urethane seals, not for use with rigid plastic materials such as PTFE and nylon.

Seal Inner Diameter	Approximate Minimum Opening Required	Part Number
1"-1.5"	1"	45015K21
1.5"-2"	1.5"	45015K22
2"-3"	2"	45015K23



STEP 1

Inspect the area where the seal will be installed, ensuring it is clean and defect free.



STEP 2

Position seal in the installation tool as shown below.



STEP 3

Rotate handles toward one another to flex the seal into the configuration shown.



STEP 4

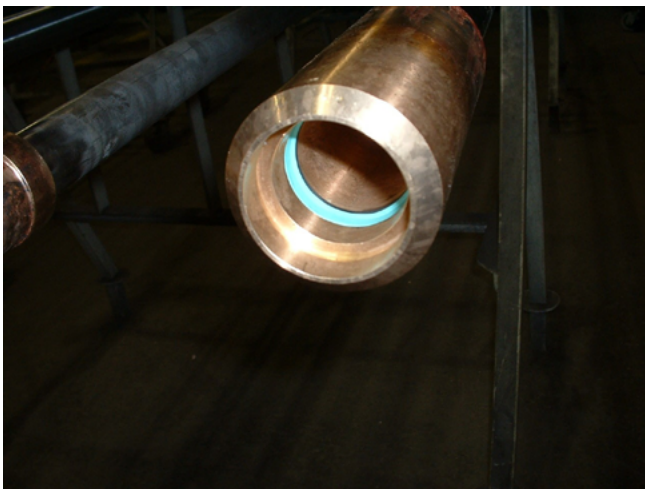
Position the seal into the retaining groove and reverse the position of the handles to release the seal.



STEP 5

Using the tip of your finger, gently press the seal into place. Inspect to ensure seal is seated properly and undamaged. Install wiper seal using the same procedure.

Lubricate the seal with hydraulic oil before inserting the chrome inner telescoping tube.







FOR FURTHER ASSISTANCE,
CONTACT THE TEREX UTILITIES TECHNICAL SUPPORT TEAM
PHONE: **1-844-TEREX4U (1-844-837-3948)** | EMAIL: **UTILITIES.SERVICE@TEREX.COM**
