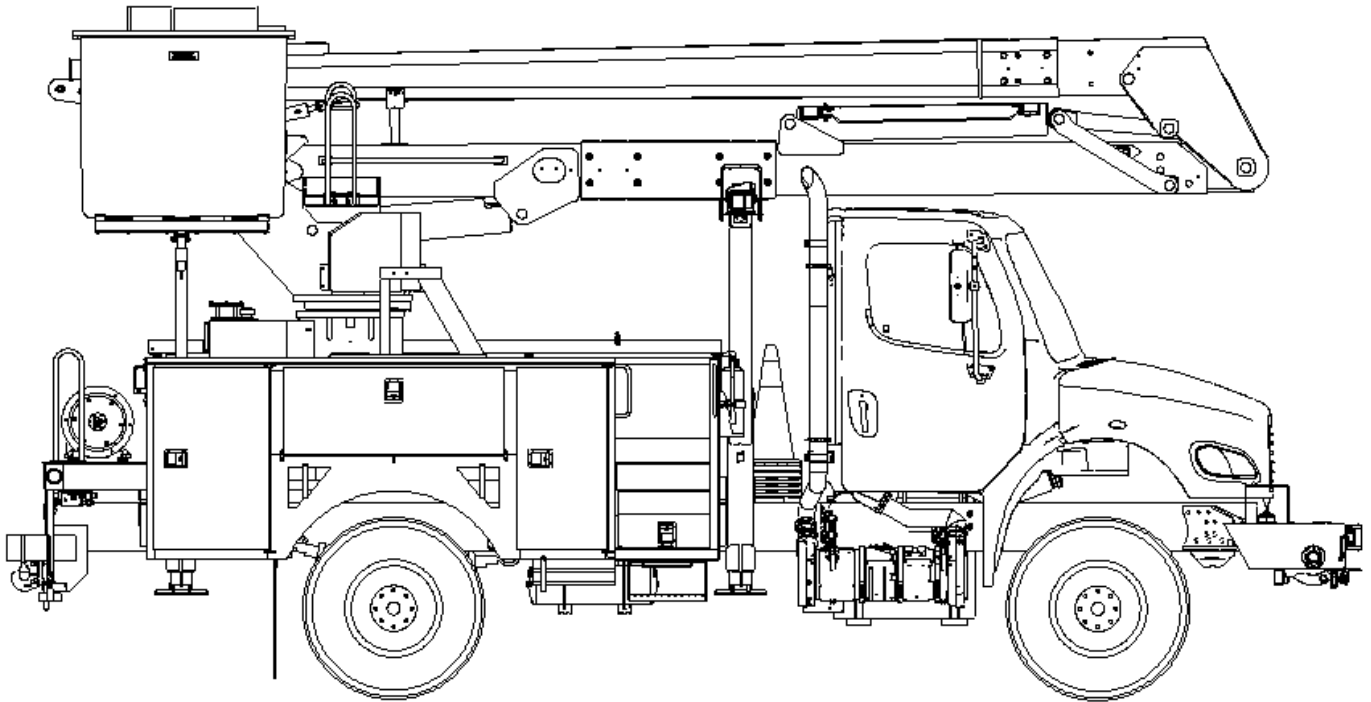




TECH TIPS

TAKING PICTURES OF STEEL CRACKS

NO. 83



GENERAL KNOWLEDGE
TAKING PICTURES OF STEEL
CRACKS



MODEL(S):
ALL TEREX UTILITIES EQUIPMENT



TOOLS NEEDED:
CAMERA
SANDER
DYE PENETRANT
MEASURING TAPE/RULER
PAINT MARKER

TEREX UTILITIES TECHNICAL SUPPORT TEAM

PHONE: 1-844-TEREX4U (1-844-837-3948) | EMAIL: UTILITIES.SERVICE@TEREX.COM



DANGER

Failure to obey the instructions and safety rules in the appropriate Operator's Manual and Service Manual for your machine will result in death or serious injury.

Many of the hazards identified in the Operator's Manual are also safety hazards when maintenance and repair procedures are performed.

DO NOT PERFORM MAINTENANCE UNLESS:

- ✓ You are trained and qualified to perform maintenance on this machine.
- ✓ You read, understand and obey:
 - manufacturer's instructions and safety rules
 - employer's safety rules and worksite regulations
 - applicable governmental regulations
- ✓ You have the appropriate tools, lifting equipment and a suitable workshop.

The information contained in this Tech Tip is a supplement to the Service Manual. Consult the appropriate Service Manual of your machine for safety rules and hazards.



TECH TIP 83 | RELEASED 09.20.2022 | VERSION 1.0
©TEREX UTILITIES. ALL RIGHTS RESERVED

CONTENTS

TECH TIP #83

TOC

4

| *General Tips*
| *Change iPhone Settings*

STEP 1 - STEP 2

5

| *Change iPhone Settings*
| *Taking Pictures of Steel Cracks*

STEP 3 - STEP 5

6

| *Dye Penetrant*
| *Measurements.*

STEP 6 - STEP 8

INTRODUCTION

This tech-tip provides information/examples on what is needed when staging pictures. As a rule of thumb, it is better to take multiple pictures from multiple angles and distances. Getting good quality photos will help response times and minimize the need for retakes.

GENERAL TIPS

- Hold your phone horizontal when taking pictures. Holding it horizontal will show more detail then holding the phone vertical.
- Make sure the damaged area is in focus, staying as still as possible to prevent the picture from becoming blurry. If needed, invest in a Tripod or stand to assist with this.
- View photos on a computer before sending. If the pictures are blurry or you cannot determine the amount of damage, then retake the photo.
- Be aware of the total size of the pictures when emailing them in. Most systems have a limit on the size of attachments. To email Terex, the attachments must be under 20 Mb in size. If you have additional pictures to share, sent an initial email, then send additional pictures into the case as needed.

CHANGE IPHONE SETTINGS

If using an iPhone, you might need to change the camera settings format for Terex to send pictures over email.

STEP 1

To change setting in iPhone, go to the settings icon.



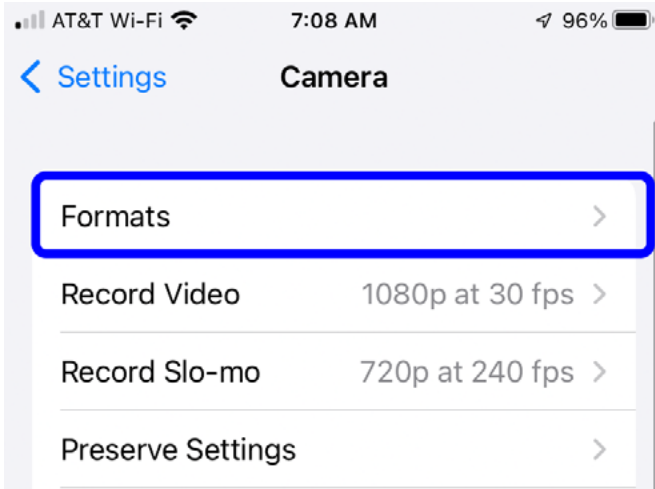
STEP 2

Scroll down until Camera settings are visible.



STEP 3

Go into formats:



STEP 4

Tap on the most compatible. This will change the file type to make sure its viewable via email.



STEP 5 - STEEL CRACKS

Take pictures at a distance from the damaged area to show where the crack is located.



STEP 6

Sand away paint around the crack, then apply dye penetrant if crack is not visible to highlight the crack. **Figure 7**

Note: Use dye penetrant per the manufacturer's instructions.



FIGURE 7

STEP 7

Note the measurements of the crack. Write the measurements on the steel with a paint marker. **Figure 8**

STEP 8

Email pictures, measurements, and the unit serial number to Utilities.service@terex.com.





FOR FURTHER ASSISTANCE,
CONTACT THE TEREX UTILITIES TECHNICAL SUPPORT TEAM
PHONE: **1-844-TEREX4U (1-844-837-3948)** | EMAIL: **UTILITIES.SERVICE@TEREX.COM**
